

Honeywell Device Specifications - Data Sheet

Honeywell Part Number: HFD3065-002

Electro-optical Characteristics

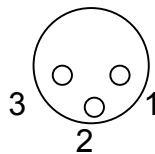
PIN Diode (All tests made at 22+/- 2 degrees C and Vr = 20 V unless otherwise stated)

Parameter	Symbol	Min.	Typ.	Max	Units	Test Conditions
Flux Responsivity	R	0.52	0.55		A/W	Wavelength = 900NM
Active Area	A		1		mm ²	
Dark Current	Id		1	5	nA	
Response time 10 - 90 % 90 - 10 %	tr tr		3.5 3.5		ns	I = 820nm RL = 50W
Capacitance	C f = 100kHz			2.0 3.5	pF	VR = 0V VR = 20V

Maximim Ratings

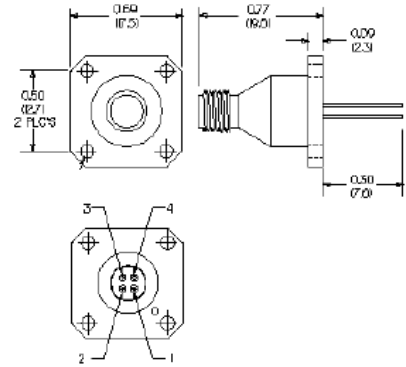
Parameter	Symbol	Min.	Typ.	Max	Units	Test Conditions
Max. Reverse Voltage	Vrmax			50	V	
Forward Voltage	Vf			1.5	V	

Pin-out:-

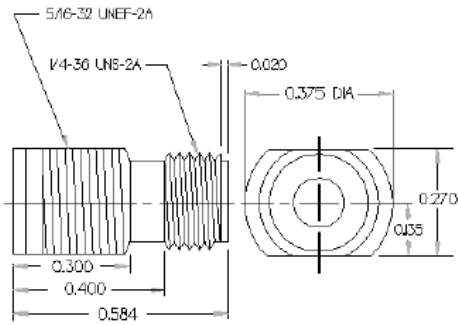


1 = ANODE
2 = CATHODE
3 = N/C

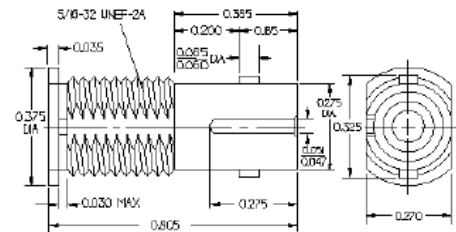
HFD3065-002/ADA SMA 4 hole



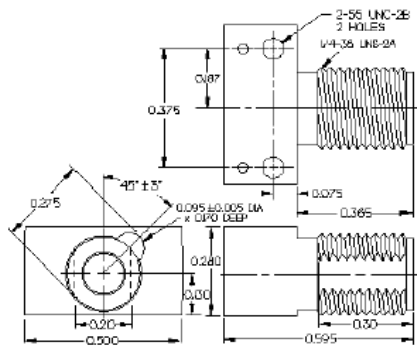
HFD3065-002/AAA SMA single hole



HFD3065-002/BAA ST single hole



HFD3065-002/ABA SMA PCB



HFD3065-002/BBA ST PCB

